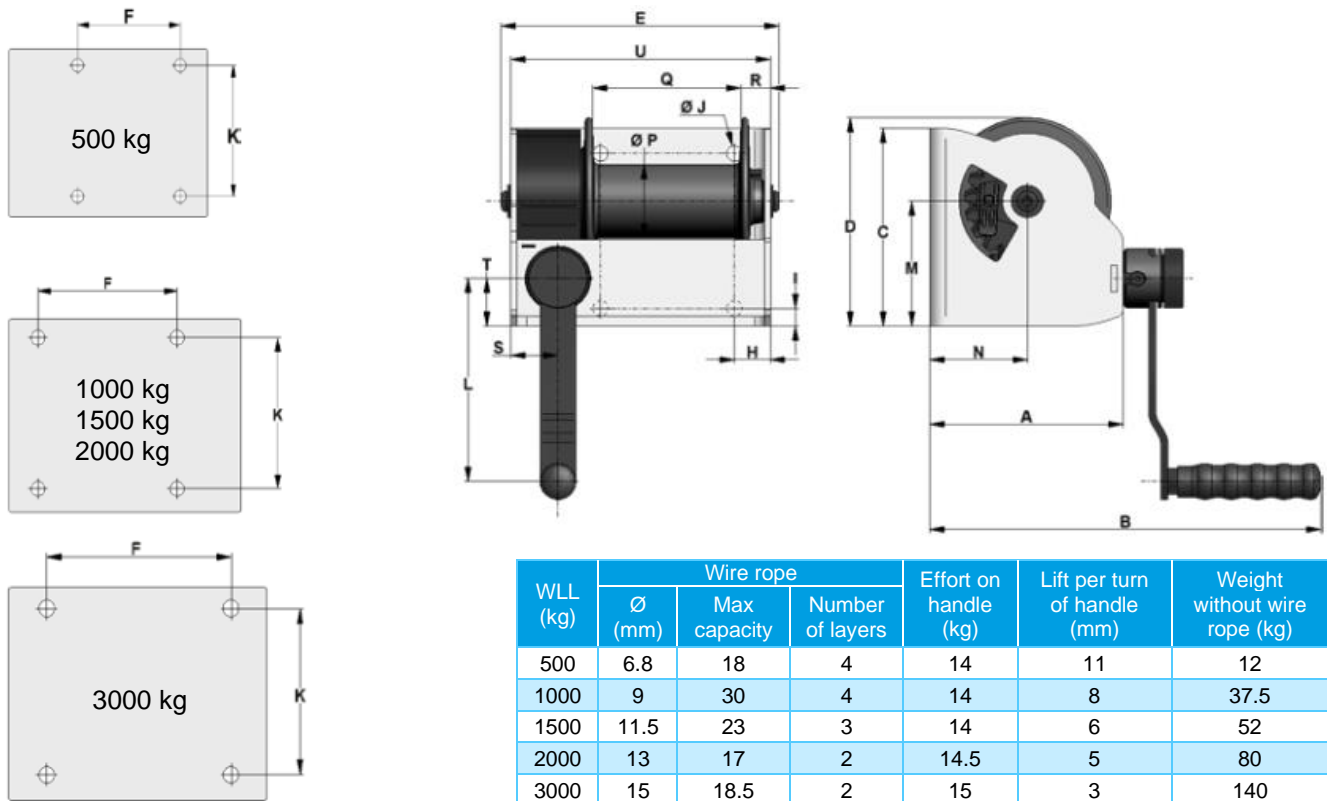


## TECHNICAL CHARACTERISTICS

- High quality gears which have undergone all breaking and endurance tests
- Hubs machined to create a reserve of grease
- Automatic pawl brake with stainless steel spring
- Rigid tubular chassis with mechanical parts and drum protected by cataphoresis
- Drum can be disengaged by easy access to lever with safety device preventing disengaging when loaded
- Users and gears protected by a protective cover that can be removed for maintenance
- Simple and quick-operation wire rope lug takes any diameter of wire rope
- Variable length control handle giving the user either maximum operating force or rapid operation for small loads or rewinding operations
- Handle adjustment button for maximum ease of use. It can be used to adjust the handle or to remove it to lock operation of the winch
- The TR winch can be fixed in many positions, on a horizontal or vertical fixing plane on four fixing points (depending on the model)



WLL (kg)	Dimensions (mm)																		
	A	B	C	D	E	F	H	I	ØJ	K	L	M	N	ØP	Q	R	S	T	U
500	162	325	166	175	233	112	30	15	4xØ13	130	240	105	82	62	124	25	40	40	217
1000	302	470	290	302	322	167	45	20	4xØ17	250	340	180	130	103	180	35	56	50	300
1500	350	518	330	330	370	200	50	25	4xØ21	250	340	194	162	105	220	39.5	58 123	50	350
2000	356	520	390	390	420	260	39	25	4xØ21	295	340	224	171	121	262	45.5	60 125	50	400
3000	480	640	450	450	530	390	55	40	4xØ25	380	340	307	153	145	289	54.5	62 126	55	500

## APPLICABLE STANDARDS

- Complies with machinery directive 2006/42/CE.
- Designed according to EN13157:2004.

